

WONDER BOX

NEEDED

3 yards of heavy broadcloth, canvas or duck cloth

~ If you use duck cloth you can make 2 Wonder Boxes out of 3 yards, but you need the 3 yards for the length and for circles

1 - Bag Styrofoam Pellets (available at Smith's Marketplace or Shopko by furniture)

1 - 9" Zipper (not metal, or separating style)

1 - 12" Zipper (not metal, or separating style)

24" of Webbing - Cut 4! 6" each and burn the edges

2 - Buckles - size to fit your webbing

PROCEDURE

Cut 4 round pieces 19 1/4" in diameter

Cut 1 strip 61" long x 10" wide

Cut 1 strip 61" long x 18" wide

1. Finish short end of fabric if you wish.
2. Attach Buckles, 16" in from short edge and centered top to bottom.
3. Attach zipper (On short end)
4. Attach circles (open zipper before you attach second circle)
5. Sew circles again, edge finish if you wish.

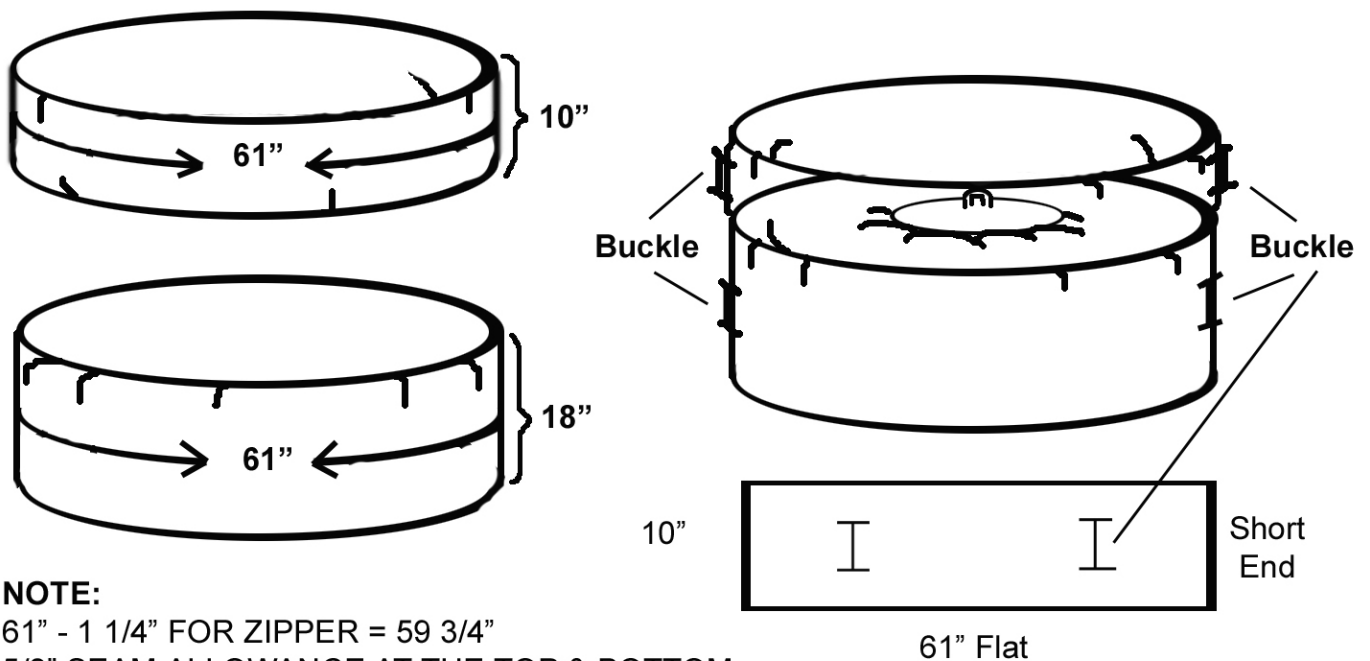
HOW TO USE

Using a stainless steel pan, bring your water to a rolling boil on the burner (stove).

Add food to be cooked.

Place the pan down into the large bag and cover with a small bag.

Open as seldom as possible (preferably only when time to eat).



NOTE:

61" - 1 1/4" FOR ZIPPER = 59 3/4"

5/8" SEAM ALLOWANCE AT THE TOP & BOTTOM